

WE KNOW CLEAN™



FACTORYCAT®

MAG-HID

Walk-Behind Scrubber for Quality Results

29-34 INCH WORKING
WIDTHS AVAILABLE

Made in the USA 

AVAILABLE IN BOTH
DISK & CYLINDRICAL



Machine Control Panel uses off-the-shelf toggle and marine duty switches and features universal icons which simplifies training.



Squeegee Adjustments made simple with quick change squeegee latch allows tool-less maintenance and 4-sided squeegee blade.



Front Fill System features a retractable hose for easy filling on standard sink-faucets and a stainless screen for bucket filling.



Oversized Vacuum Screen Shut-Off quickly arrests overfill issues to protect the Vacuum Motor.

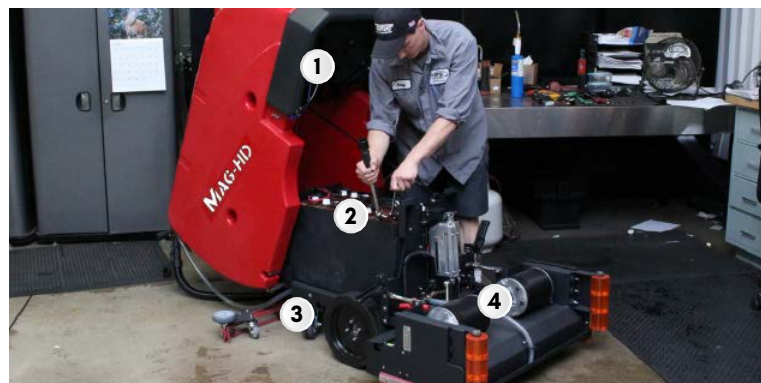


High Performance motors and down pressure provides an unmatched standard of cleaning.

FactoryCat's Mag-HD Industria-Strength Floor Scrubber has earned a reputation for exceptional toughness and cleaning performance. The Magnum HD combines their historic cleaning ability with improved agility and operator productivity.

The Mag-HD is available with a large battery package and 30 gallon tanks, greatly reducing costly down-time. There are multiple scrubbing options available to you in both disk and cylindrical models.

Factory Cat's Mag-HD Walk Behind Floor Scrubber-Dryer is known for its basic but durable design offering unmatched value to customer. The heavy steel construction, oversized motors, extra thick polyurethane tanks and stainless steel fasteners provide a solid foundation for the Mag-HD Walk Behind Floor Scrubber.



Total Access to Components

- 1 Inspect Vacuum Motor
- 2 Service Batteries
- 3 Inline Solution Filter
- 4 Inspect Scrub Motors
- 5 Vacuum Screen & Filter
- 6 Drain Saver Basket



Reduce costly repairs associated with clogged floor drains with our Drain Saver Basket.

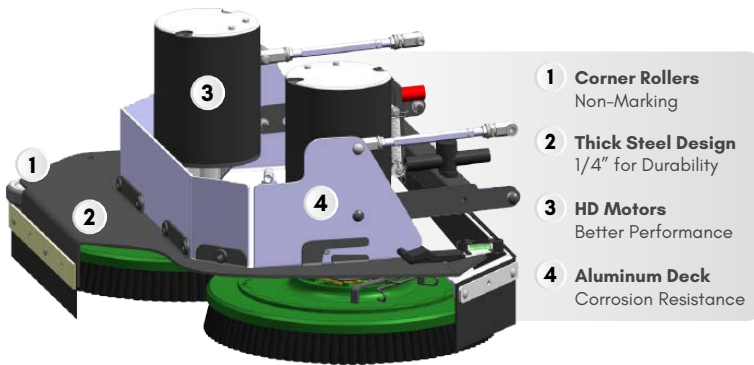
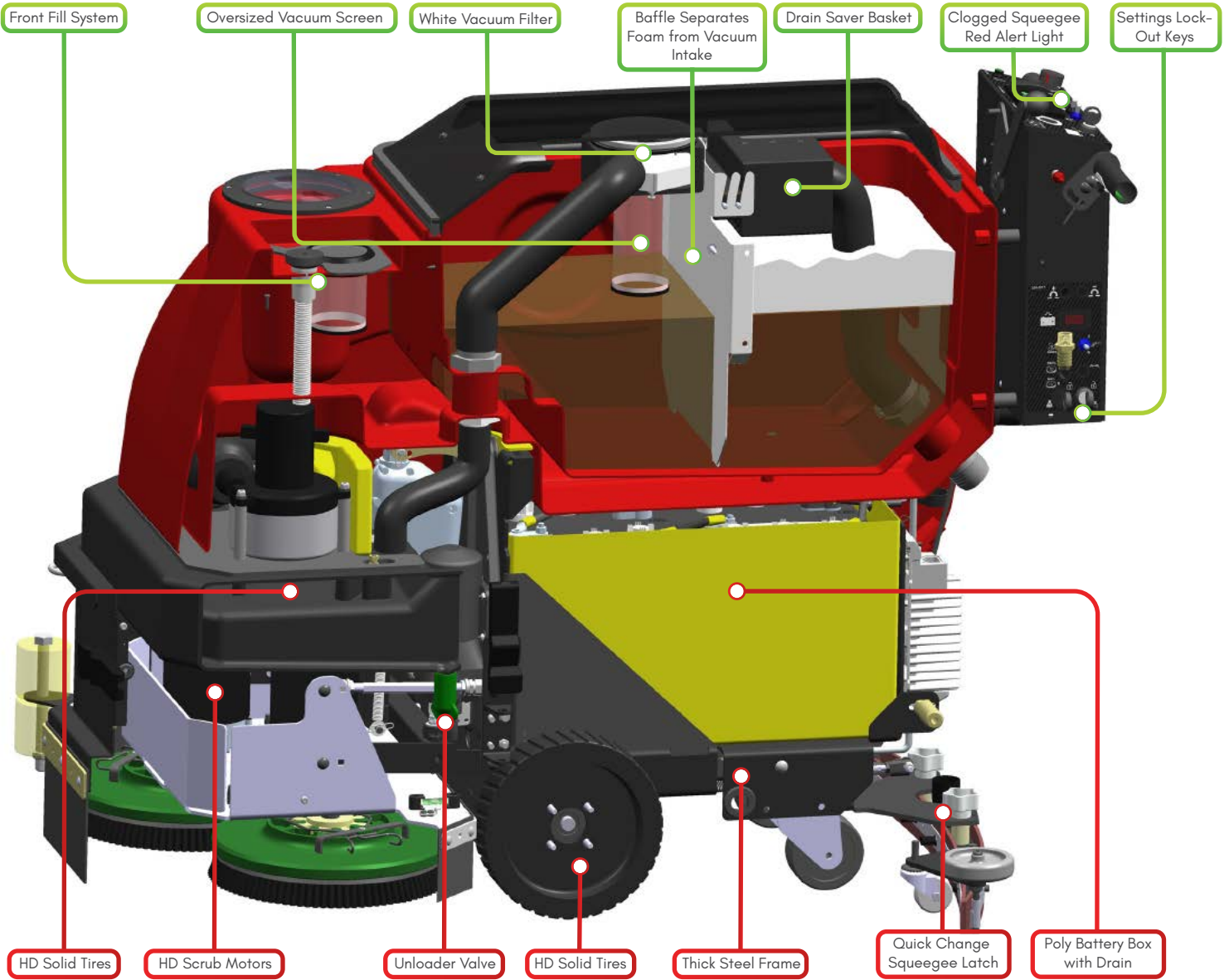
Efficient, Effective, and Driven by Results

The Factory Cat Mag-HD is your perfect choice when it comes to professional cleaning results in mid to large areas. These machines are tailor-made for applications in areas such as:

- Fabrication Shops
- Machine Shops
- Manufacturing
- Aviation
- Beverage Distribution
- Warehouses
- Automotive Shops
- Food Packaging
- Sports Arenas
- Schools & Universities

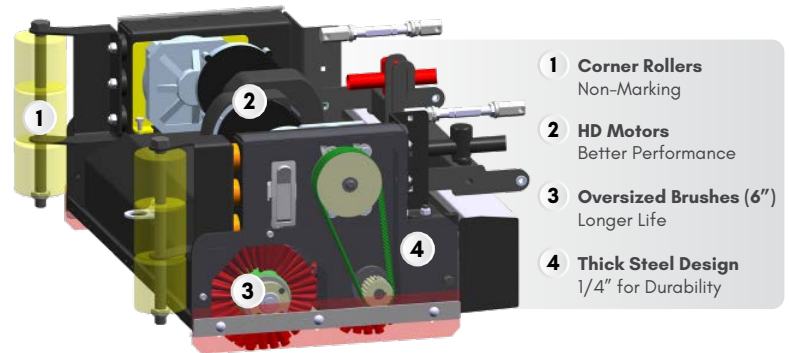
View Inside the Factory Cat MAG-HD

Designed with Attention to Detail



Disk Benefits

- Extensive Brush / Pad Selection
- Lowest Maintenance Cost
- Gimballed Drivers Improves Cleaning On Irregular Floors
- Brushes Individually Driven For Unmatched Performance



Cylindrical Benefits

- Eliminates Dust Mopping & Need for Most Pre-Sweeping
- Scrub & Sweep Simultaneously
- Superior Expansion Joint Cleaning

Technical Data

FACTORY CAT MAG-HD AT A GLANCE

BODY CONSTRUCTION / DIMENSIONS

| | |
|----------------------------------|--|
| Tank Material: | Poly 3/8" (9.5 mm) |
| Chassis Construction: | 3/16" Steel (4.8 mm) Powder Coated Steel |
| Front Wheels (Diameter x Width): | (2x) 12" x 2.75" ([2x] 30.5 x 7 cm) - Solid Black |
| Rear Casters (Diameter x Width): | (2x) 5" x 2" ([2x] 12.7 x 5.1 cm) - Non-Marking Grey |
| Size (L x W x H): | 55" x 26" x 40" (139.7 x 66 x 101.6 cm) |
| Weight (w/o Batteries): | 441 - 481 lbs (200 - 218 kg) |
| Weight (w/ 210 ah Batteries): | 775 - 825 lbs (352 - 374 kg) |

BRUSH / PAD SYSTEM

| | |
|---|--|
| Disk Dimensions: | 30" - (2x) 15" Diameter (76.2 - [2x] 38.1 cm) |
| <small>Includes Jaws with Rollers for Wall Protection</small> | 34" - (2x) 17" Diameter (86.4 - [2x] 43.2 cm) |
| Disk Motor: | (2x) 1.0 hp ([2x] 746 watts) |
| Disk Brush Speed: | 350 rpm |
| Cylindrical Dimensions: | 29" - (2x) 6" x 27" (73.7 - [2x] 15.2 x 68.6 cm) |
| <small>6" Diameter Brush</small> | 33" - (2x) 6" x 31" (83.8 - [2x] 15.2 x 78.7 cm) |
| Cylindrical Motor: | (2x) 1.0 hp / 350 rpm ([2x] 746 watts) |
| Cylindrical Brush Speed: | 750 rpm |
| Brush Pressure Settings: | (5) with Auto Adjust |
| Brush Down Pressure: | Up to 185 lbs (84 kg) / 500 lbs (227 kg) Actuator Rating |

POWER SYSTEM

| | |
|---|--|
| System Voltage: | 24 VDC |
| Standard Battery: | 315 ah WET |
| Optional Battery: | 360 ah WET / 335 ah AGM* |
| <small>*Includes Onboard Charger</small> | |
| Run Time: | Up to 5.0 Hours** |
| <small>**Run times are based on continuous scrubbing run times.</small> | |
| Charger: | 120VAC / 60 Hz Input - 24VDC / 30 amp Output |

DRIVE SYSTEM

| | |
|------------------|--|
| Power: | 0.75hp - All Gear / Sealed (559 watts) |
| Forward Speed: | 0 - 290 ft/min / 0 - 3.3 mph (0 - 88 m/min / 0 - 5 km/h) |
| Scrubbing Speed: | 0 - 229 ft/min / 0 - 2.6 mph (0 - 70 m/min / 0 - 4 km/h) |
| Reverse Speed: | 0 - 202 ft/min / 0 - 2.3 mph (0 - 62 m/min / 0 - 4 km/h) |

SOLUTION / RECOVERY SYSTEMS

| | |
|--------------------------------------|---|
| XL Tank Solution Capacity: | 35 Gallons (132.5 liters) - w/ Graduated Site Tube |
| Solution Flow / Filter: | 0 - 1.0 GPM / Stainless Inline (0 - 4 LPM) |
| XL Tank Recovery Capacity: | 37 Gallons (140.1 liters) - 1.5" diameter Drain Hose |
| Optional Small Tank Capacity: | 30 Gal (113.6 liters) Solution / 32 Gal (121.1 liters) |
| Demisting Chamber: | 1.25 Gallons (4.7 liters) |
| Drain Saver: | 30 cubic inches (492 cubic cm) |
| Vacuum Power: | 0.8 hp / 3 Stage (640 watts) |
| Vacuum Specs (Water Lift / Airflow): | 68" / 72 cfm (173 cm / 2 cm/m) |
| Squeegee: | Curved w/ 4-sided Rear Blade & Quick Change Latch All Sizes - 42" (106.7 cm) Optional - 33", 36", & 39" (83.8, 91.4, 99.1 cm) |

GENERAL

| | |
|---|--|
| Cleaning Width: | 30" & 34" - Disk (76.2 & 86.4 cm) 29" & 33" - Cylindrical (73.7, 83.8 cm) |
| Productivity - Theoretical: | Up to 31,915 sqft (2,965 sqm)*** |
| <small>***Productivity is based off of ISSA 2010 Cleaning Times</small> | |
| Productivity - Practical: | Up to 14,851 sqft (1,380 sqm)*** |
| <small>***Productivity is based off of ISSA 2010 Cleaning Times</small> | |

A FAMILY COMPANY SINCE 1967



WE KNOW CLEAN™

EQUIPMENT PARTS RENTALS SERVICE SUPPLIES

SWEeperLAND.COM

Corporate Headquarters | 4713 Gettysburg Road | Mechanicsburg, PA 17055
Contact Us Today: 1-800-626-7835