

A FAMILY COMPANY SINCE 1967



We Know Clean™

# B5 AND B52 SERIES

## COMBINATION CLEANING/VACUUMING MACHINES

**B5**



**B52**



The B5 and B52 Combination Cleaners are designed to give unsurpassed performance in catch basins, storm sewers, lift stations and treatment plants in municipal and industrial applications.

**AQUATECH**

SOME FEATURES SHOWN MAY BE OPTIONAL.

### HIGH-PERFORMANCE, STATE-OF-THE-ART FEATURES INCREASE PRODUCTIVITY.

- **SINGLE ENGINE DRIVE**

Dramatically decreases fuel consumption, maintenance expenses, sound levels, weight on chassis and initial purchase price. Chassis engine powers all systems.

- **REAR MOUNTED HOSE REEL**

The 180° articulating rear reel facilitates placement of unit regardless of manhole location. The rear location assures unobstructed vision for the driver, allows maximum air flow to the chassis engine and provides the quietest workstation in the industry.

- **FULL POWER. 360° ROTATING BOOM**

The top loading boom is self-cleaning, powers up/down and extends to 20 feet. Top mounting produces even load distribution.

- **VACUUM HOSE**

The heavy-duty, wire-reinforced rubber, 8" hose is designed to prevent wear and clogging. Vacuums up bottles, cans and bricks over 150 feet in depth.

- **CYLINDRICAL DEBRIS TANK**

High-strength steel is corrosion and abrasion-resistant. Has more usable space for larger loads than any other design. Capacities of 10 to 15 cu. yds.

- **LIGHTWEIGHT WATER TANKS**

Fully baffled 3/8" thick, U.V. stabilized, non-corrosive polyethylene saddle tanks. Capacities from 1000 to 1500 gallons.

- **TRIPLEX RECIPROCATING WATER PUMP**

Continuous flow triplex reciprocating water pump is rated at up to 80 GPM@2500 psi and is designed to operate dry.

- **INTERNAL BOOM VALVE**

Increases air velocity, builds instantaneous vacuum to 204" of negative water pressure for picking up materials above and below water.

- **VACUUM CUT-OFF SYSTEM**

Fail safe protection prevents materials from entering positive displacement exhauster and passing into the atmosphere.

- **LOWEST CENTER OF GRAVITY**

Makes full loads more stable during transport.

- **PNEUMATIC FOOT CONTROL**

Permits one-man operation of hose reel payout/retrieve, and allows operator to work any distance from unit.

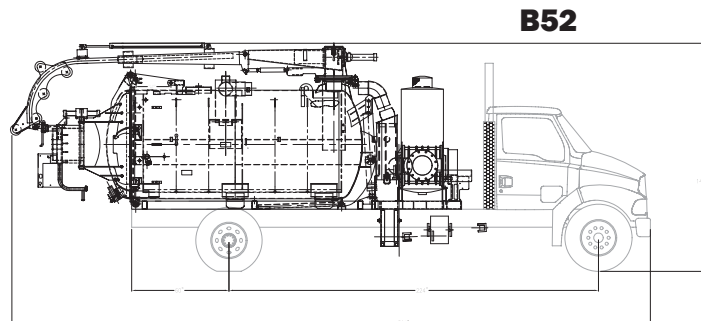
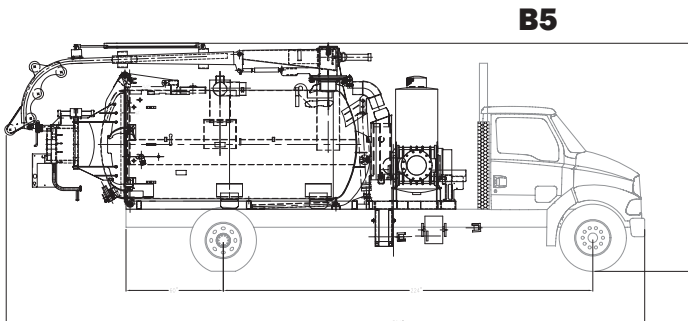
- **VACUUM TUBES**

Ball and socket connections and quickacting lever locks from a water-tight seal. Tubes can be locked at various angles to allow in tight positioning of tubes when cleaning deep manholes and catch basins.



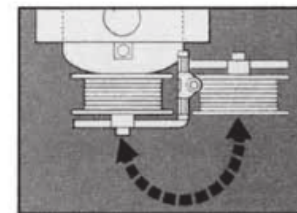
# B5 AND B52 SERIES

- Combination Machine
- Rear Mounted Reel



Unit Dimensions	B5		B52	
	U.S.	Metric	U.S.	Metric
A. Overall length	267"	6782 mm	267"	6782 mm
B. Height above truck frame	103"	2616 mm	103"	2616 mm
C. Overall width	96"	2438 mm	98"	2489 mm

Dimensions may vary with chassis and options selected. Specifications are subject to change without notice. All ratings are calculated at sea level. Patents applied for. Some features may be optional.



180° ARTICULATION (TOP VIEW)

## GENERAL DESCRIPTION

### AIR/VAC SYSTEM

Positive displacement exhauster  
2700 CFM (4588 m<sup>3</sup>/h) operating capacity,  
204" (5282 mm) water column  
Poly chain drive  
Muffler silencer  
Protected by micro-filter/centrifugal separator  
Vacuum relief valves

### DEBRIS TANK

Cylindrical design  
5 cu. yd. (3.82 m<sup>3</sup>) B10  
Dumping 45°  
Hydraulic power up/down cylinder  
Self-aligning closure seal  
Top-hinged full opening rear door  
Two 5" (127 mm) liquid level sight eyes  
Debris deflector plate  
Double strainer for rear door drain  
Rear door security prop  
4 mechanical rear door locks  
Rear door power up/down hydraulic cylinder  
Stainless steel ball check valve  
6" (152 mm) quick opening rear drain valve  
6" (152 mm) x 15" (4.6 m) lay flat discharge

### BOOM

Top mounted  
360° hydraulic rotation  
Portable pendant, controls all functions  
Internal boom valve  
8" (203 mm) extra heavy duty rubber intake hose  
Extends to 20' (6.1 m)  
Powers up/down  
Rear storage location  
Quick open cleanout

### WATER SYSTEM

Triplex reciprocating  
0-65 GPM (246 LPM)  
0-2000 PSI (138 bar)  
Poly chain drive  
Capable of running dry  
Pressure relief valve  
Water flow control valve  
Air valve on pump for cold weather operation  
Wash down gun connection

Wash down gun with 35' (10.7 m) of 1/2" (12.7 mm) hose  
800 PSI (55 bar) relief valve  
Suction line strainer

### WATER TANK

B5 1000 gal. (3785 L capacity)  
B52 2000 gal. (7570 L capacity)  
Fully baffled  
Anti-siphon air gap protection  
Curb side fill  
2 liquid level indicators  
Removable inspection covers  
Limited lifetime warranty

### HOSE REEL

Rear mounted  
Hydraulic 180° articulating  
400' (122 m) of 1" (25.4 mm), 2500 PSI (172 bar) hose  
800' of 1" (248 m) hose capacity  
Reel speed control valve  
Hose levelwind  
Hydraulic drive  
Pneumatic foot control pedals  
Automatic positioning lock  
Engine throttle  
Vacuum/pressure gauge  
Tachometer  
Water pressure gauge

### POWER TAKE-OFF

Split shaft transfer case  
Pneumatic shifting

### ACCESSORIES, STANDARD

Hinged tank support prop  
8" x 6" (203 mm x 1.8 m) aluminum intake tube  
8" x 8" (203 mm x 2.4 m) aluminum extension tube  
Two operation, parts and service manuals (unit only)  
15° nozzle  
35° nozzle  
Manhole hose guide  
Painted one color, urethane enamel  
Touch-up paint  
2 aluminum tool boxes  
Tube storage carriers on front bumper  
Aluminum fenders  
Mud flaps

### VACUUM/DEBRIS TANK OPTIONS

Hydraulic rear door locks  
Water pump-off system  
Internal flush-out system

Exhausters up to 4500 CFM (7646/h)  
Telescoping boom to 25' (7.6 m)  
Waste-water recycling  
8" fluidizer

### WATER SYSTEM OPTIONS

Cold weather recirculation  
Rubber leader hose  
35-80 GPM (132-303 LPM) water pumps  
Pressure: 0-3000 psi (207 bar)  
1/2" (12.7 mm) hose reel  
Pulsation dampener

### OTHER OPTIONS

Front mounted hose reel  
Power tilt for front mounted hose reel  
Front mounted extending/rotating rose reel  
Counter for levelwind  
800' (244 m) hose reel capacity  
Street flushers  
Debris and water tank interconnect for appropriate chassis  
Additional tube storage racks  
Power deck shroud  
Body arrow light board

For other options, see Aquatech's accessory catalog. Specifications are subject to change without notice. Some photographs may show equipment that is optional. All ratings are calculated at sea level. Patents applied for.

A FAMILY COMPANY SINCE 1967



### CORPORATE HEADQUARTERS

4713 Gettysburg Rd | Mechanicsburg, PA 17055

800.626.7835 [sweeperland.com](http://www.sweeperland.com)

EQUIPMENT PARTS RENTALS SERVICE SUPPLIES